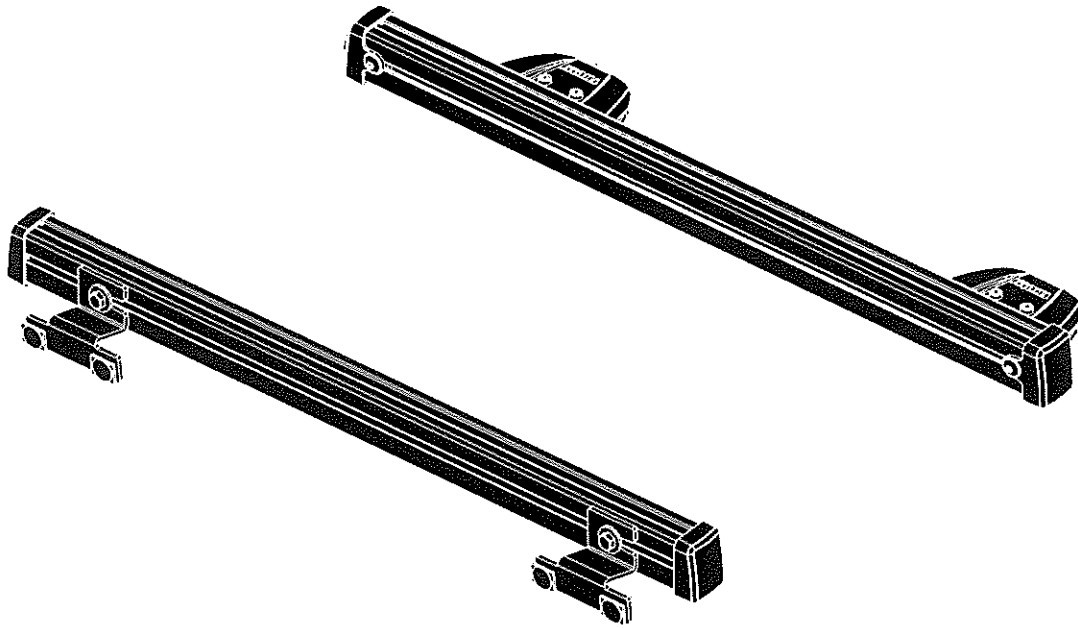




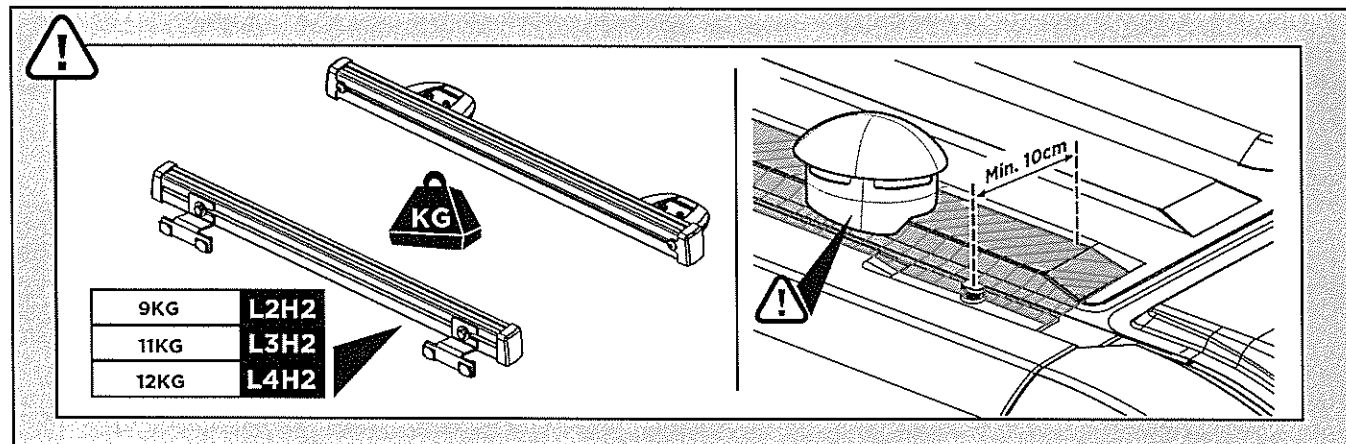
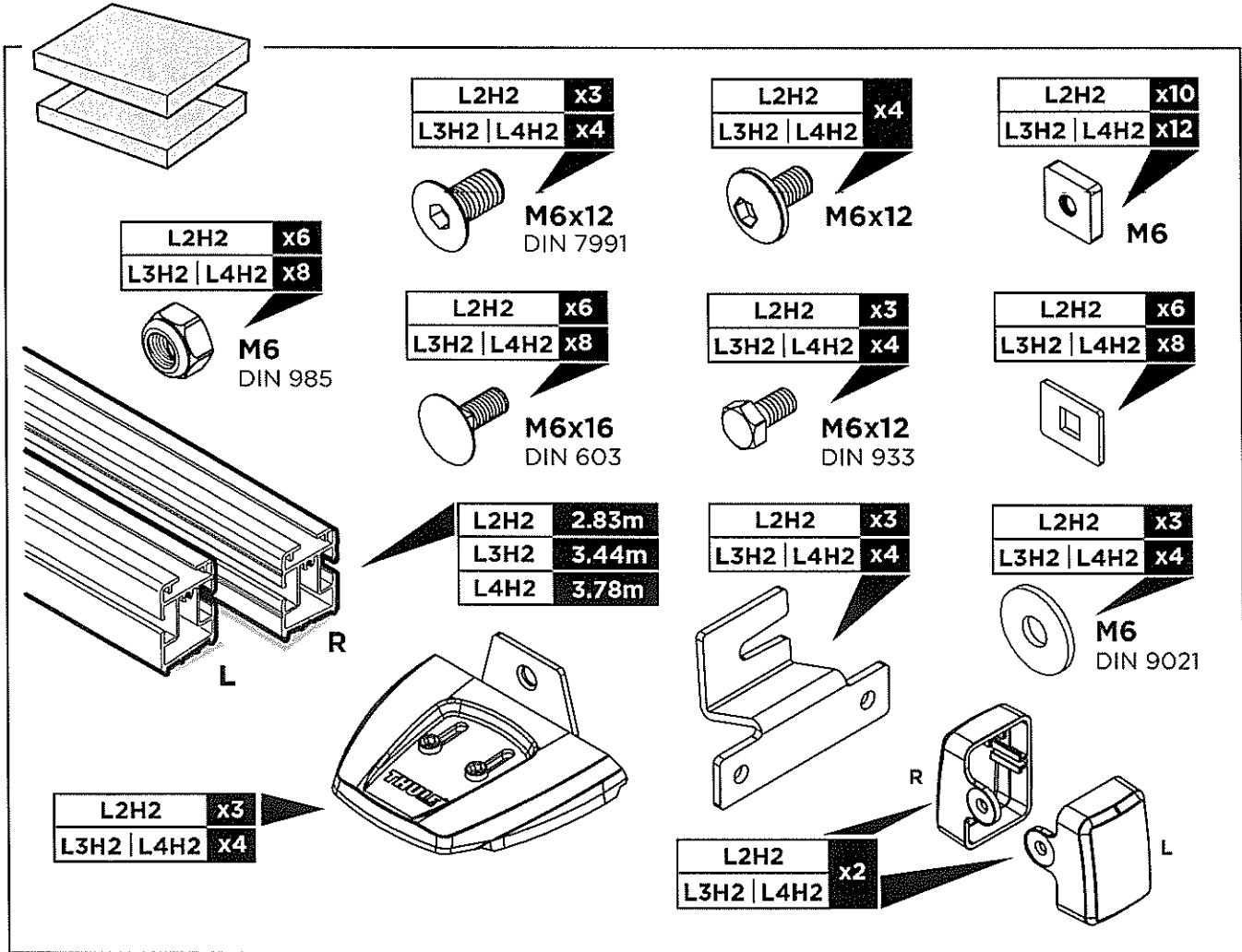
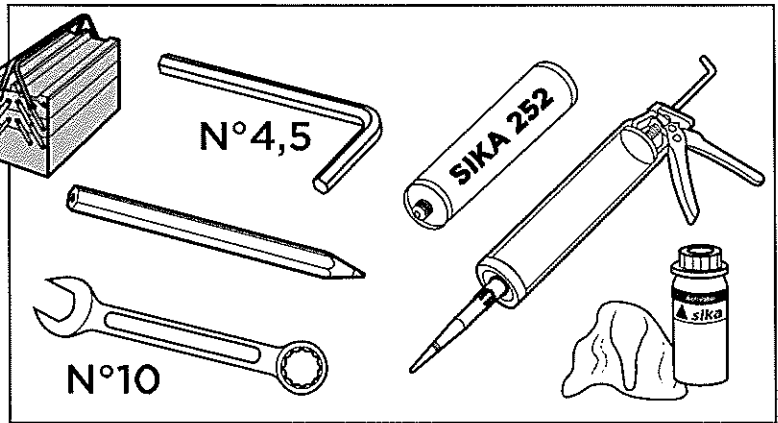
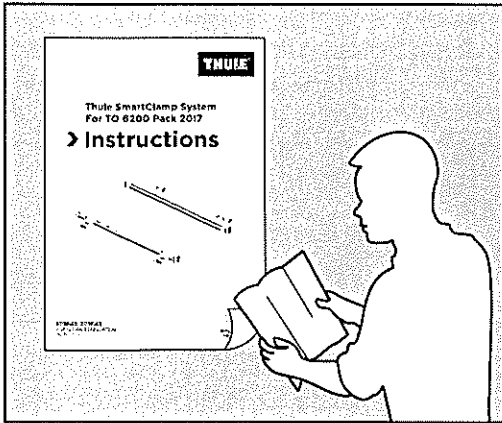
Thule SmartClamp System for TO 6200 Pack 2017

> Instructions



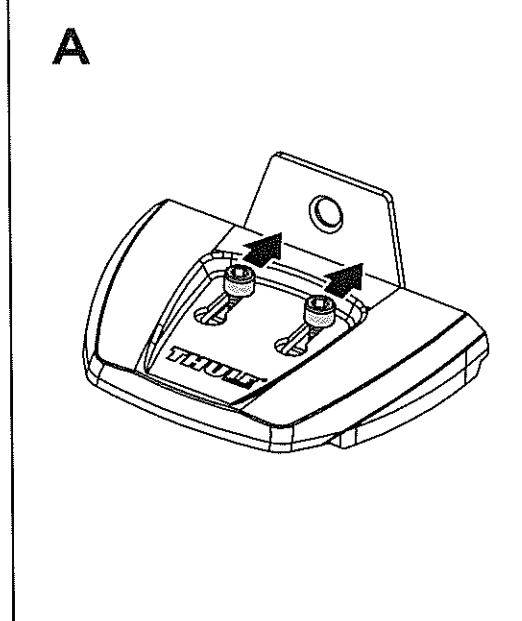
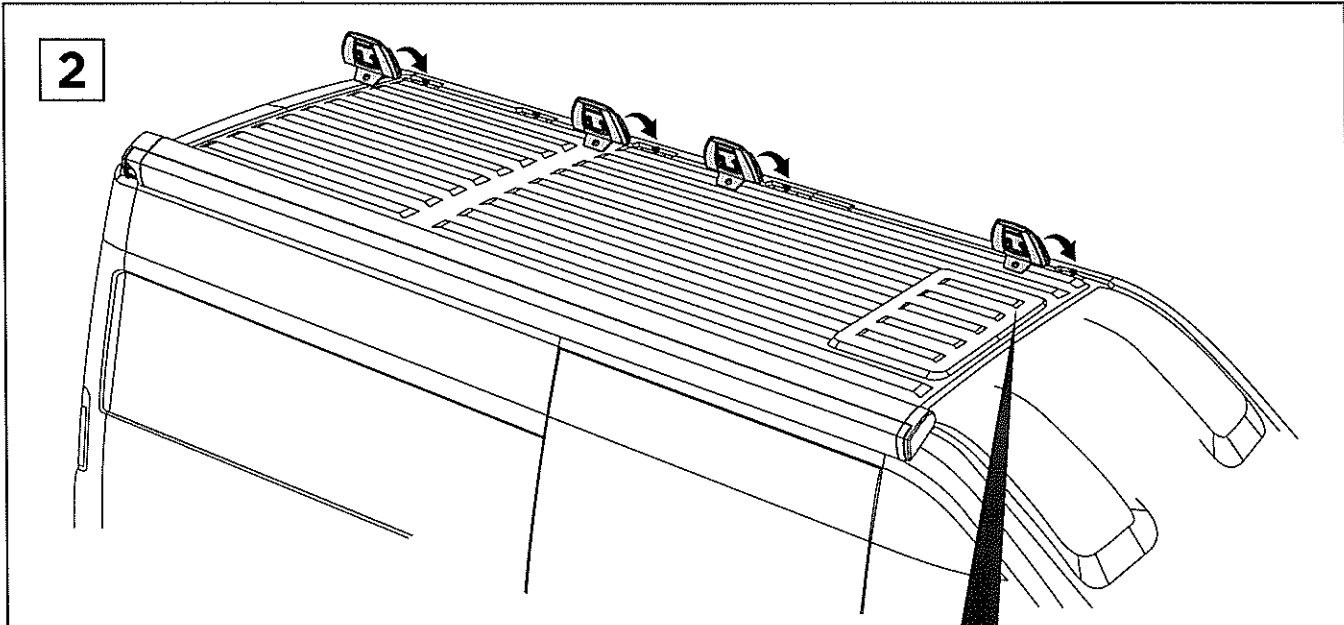
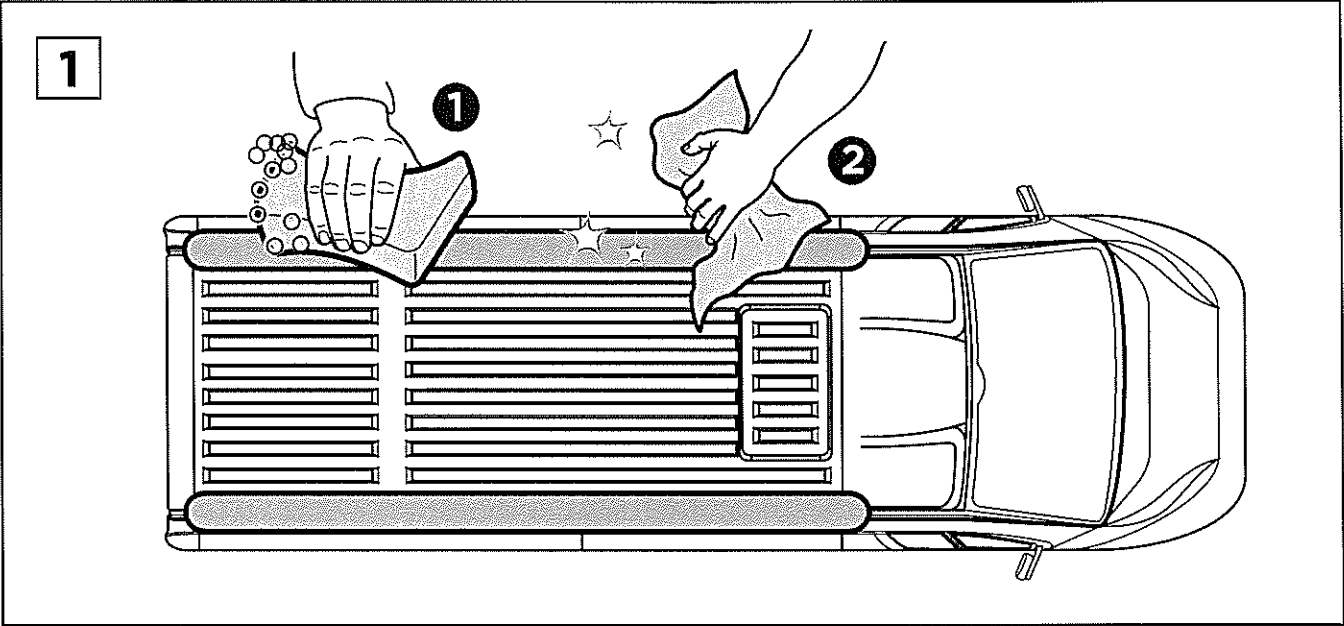
301643-301644-301645
ADR908-01 | 3380045200
2017-02-21

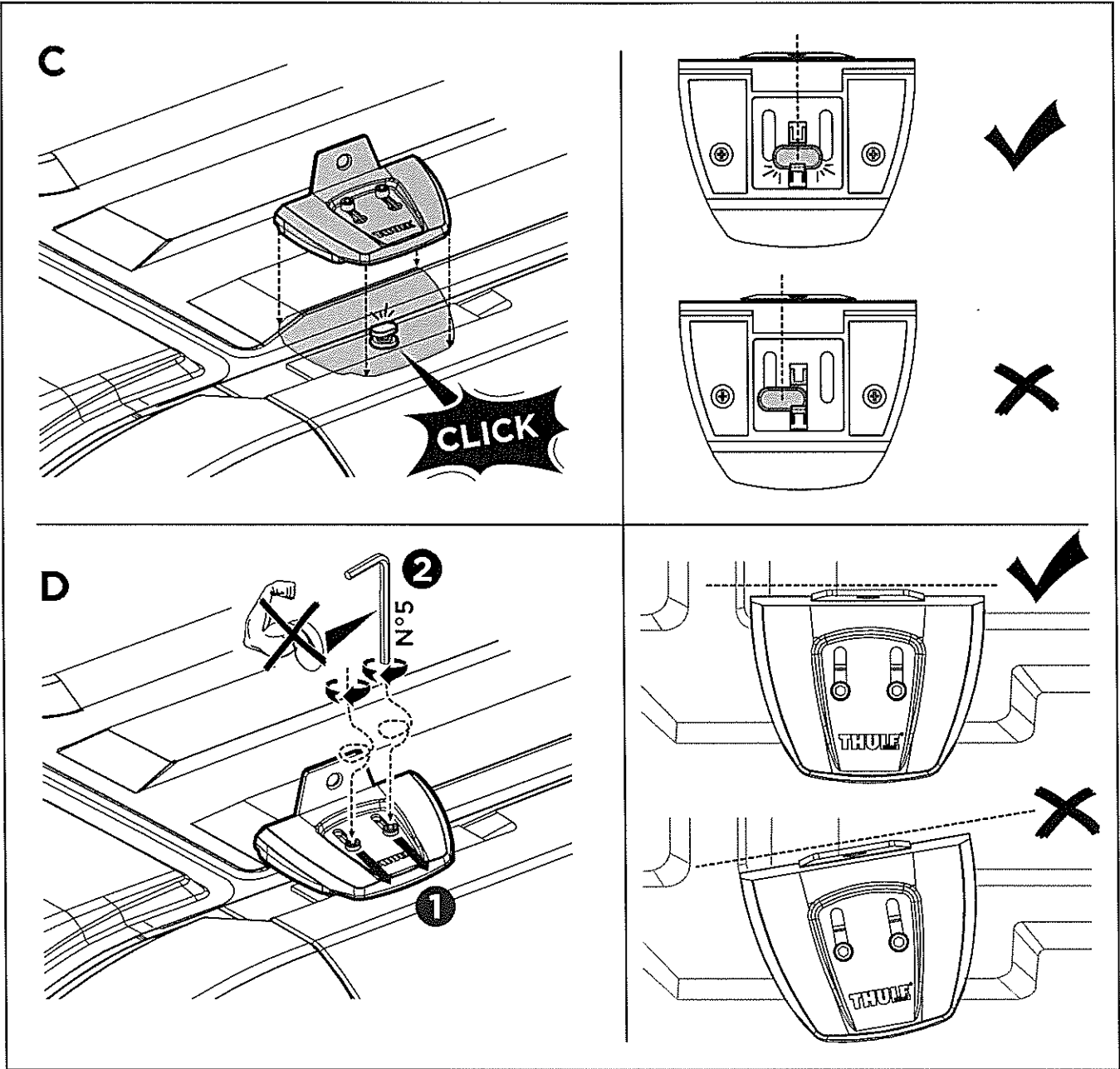
Bring your life
thule.com



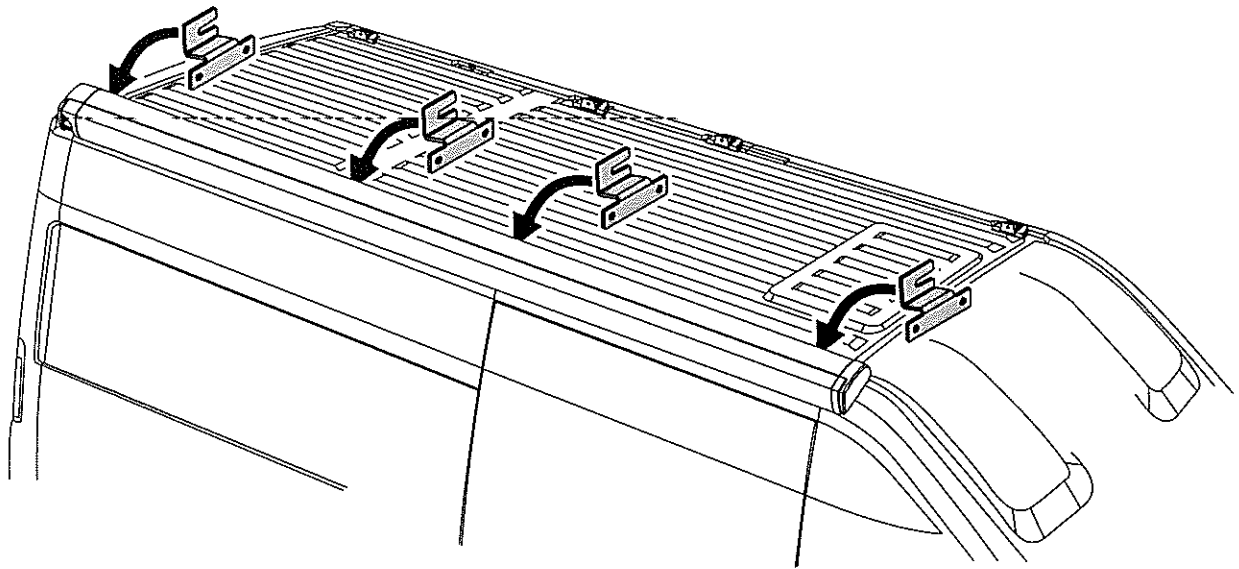
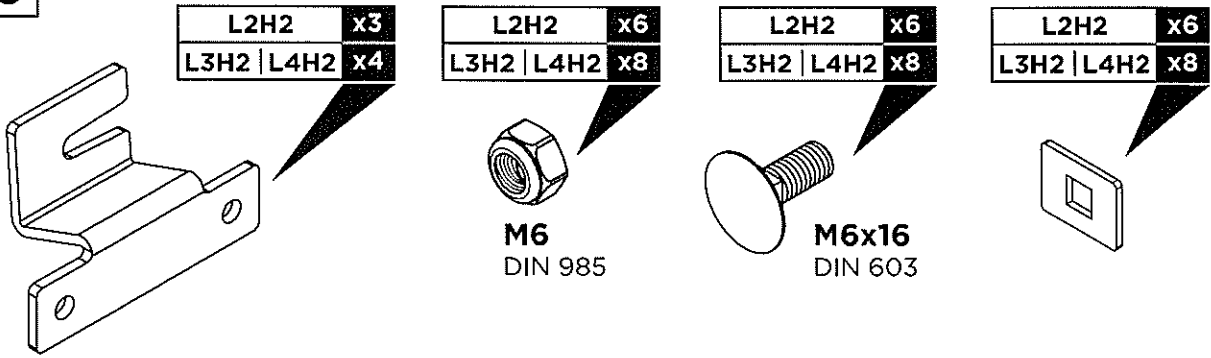
MAX. 150KG	L2H2
MAX. 200KG	L3H2
MAX. 200KG	L4H2

<p>L2H2</p>	<p style="text-align: center;">*UK: Mirrored setup for left hand drive</p>
<p>L3H2</p>	
<p>L4H2</p>	





3



A

